



CORPORACIÓN DEL ACUEDUCTO Y ALCANTARILLADO DE MOCA -CORAA MOCA-

Creada Mediante La Ley No. 89-97 Del 12 De Marzo 1997

RNC 4-06-01102-1

DIRECCION TECNICA.

FICHA TECNICA.

DEPARTAMENTO: Operación y Mantenimiento.

SECCION: Mantenimiento de Redes

FECHA: 14/07/2021

TIPO: Hidrante

LUGAR: San Víctor

USO: Instalación de Hidrante

DESCRIPCION:	CANTIDAD	UNIDAD
<ul style="list-style-type: none">• Hidrante de 4" <p>Con rosca Americana, 2 salidas de 2 ½" y una de 3 ½"</p>	1.00	Unidad

OBSERVACIONES:

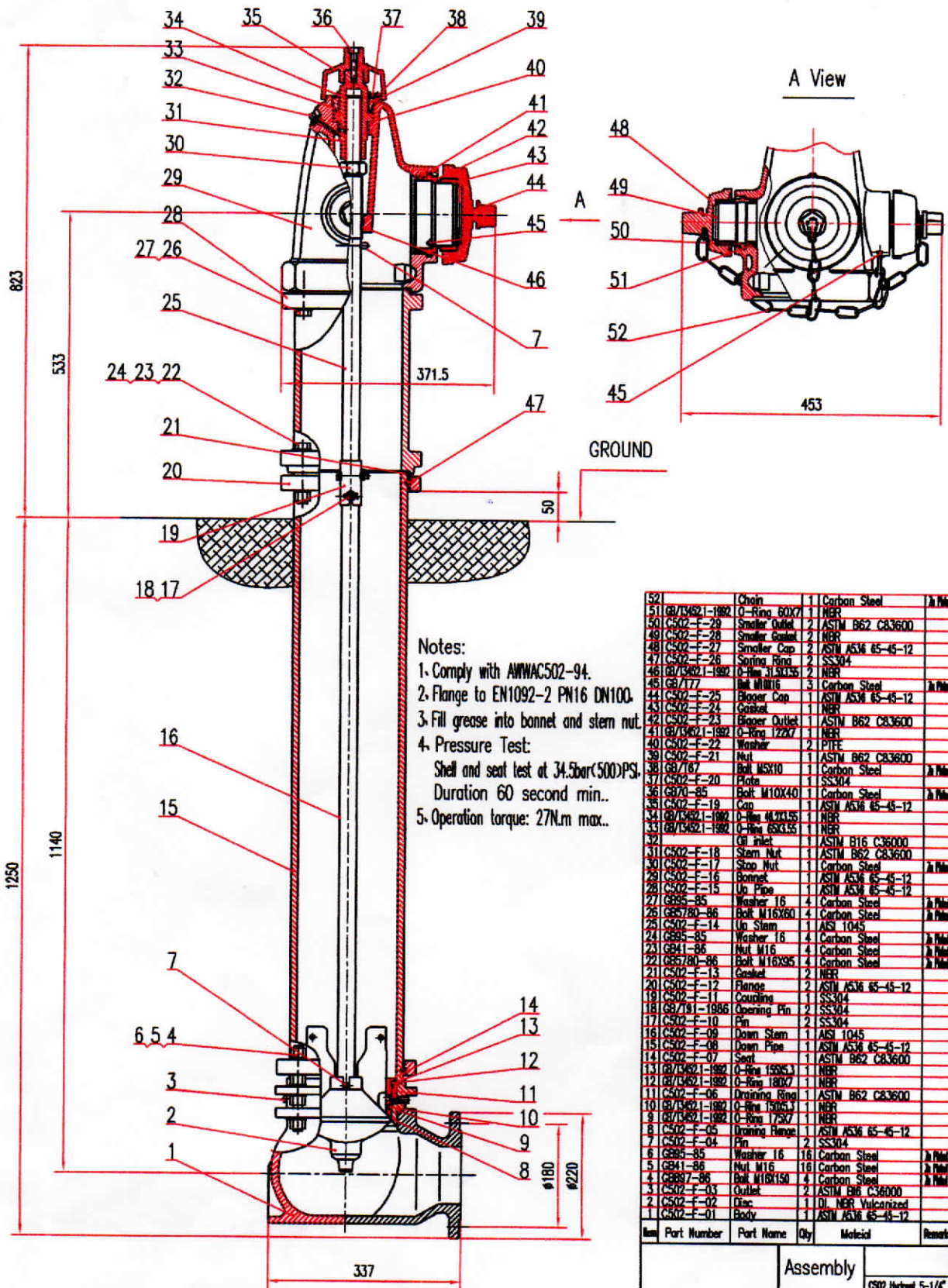
Ver detalles, cotización, fotografía y anexo

RECOMENDACIONES


Técnico


Enc. Departamento


Director técnico



- Notes:
1. Comply with AWWA C502-94.
 2. Flange to EN1092-2 PN16 DN100.
 3. Fill grease into bonnet and stem nut.
 4. Pressure Test:
Shell and seat test at 34.5bar(500)PSI.
Duration 60 second min..
 5. Operation torque: 27Nm max..

Item	Part Number	Part Name	Qty	Material	Remark
52		Chain	1	Carbon Steel	In Plant
51	08/134821-1982	O-Ring 60X7	1	NBR	
50	C502-F-29	Smaller Outlet	2	ASTM B62 C83600	
49	C502-F-28	Smaller Gasket	2	NBR	
48	C502-F-27	Smaller Cap	2	ASTM A516 65-45-12	
47	C502-F-26	Spring Ring	2	SS304	
46	08/134821-1982	O-Ring 115X135	2	NBR	
45	08/1777	Bolt M1616	3	Carbon Steel	In Plant
44	C502-F-25	Bigger Cap	1	ASTM A516 65-45-12	
43	C502-F-24	Gasket	1	NBR	
42	C502-F-23	Bigger Outlet	1	ASTM B62 C83600	
41	08/134821-1982	O-Ring 122X7	1	NBR	
40	C502-F-22	Washer	2	PIE	
39	C502-F-21	Nut	1	ASTM B62 C83600	
38	08/167	Bolt M5X10	1	Carbon Steel	In Plant
37	C502-F-20	Plate	1	SS304	
36	08/70-85	Bolt M10X40	1	Carbon Steel	In Plant
35	C502-F-19	Cap	1	ASTM A516 65-45-12	
34	08/134821-1982	O-Ring 4LX135	1	NBR	
33	08/134821-1982	O-Ring 65X135	1	NBR	
32		Oil inlet	1	ASTM B16 C36000	
31	C502-F-18	Stem Nut	1	ASTM B62 C83600	
30	C502-F-17	Stop Nut	1	Carbon Steel	In Plant
29	C502-F-16	Bonnet	1	ASTM A516 65-45-12	
28	C502-F-15	Up Pipe	1	ASTM A516 65-45-12	
27	0885-85	Washer 16	4	Carbon Steel	In Plant
26	085780-86	Bolt M16X60	4	Carbon Steel	In Plant
25	C502-F-14	Up Stem	1	AKS 1045	
24	0885-85	Washer 16	4	Carbon Steel	In Plant
23	0841-86	Nut M16	4	Carbon Steel	In Plant
22	085780-86	Bolt M16X95	4	Carbon Steel	In Plant
21	C502-F-13	Gasket	2	NBR	
20	C502-F-12	Flange	2	ASTM A516 65-45-12	
19	C502-F-11	Coupling	1	SS304	
18	08/719-1986	Opening Pin	2	SS304	
17	C502-F-10	Pin	2	SS304	
16	C502-F-09	Down Stem	1	AKS 1045	
15	C502-F-08	Down Pipe	1	ASTM A516 65-45-12	
14	C502-F-07	Seat	1	ASTM B62 C83600	
13	08/134821-1982	O-Ring 150X53	1	NBR	
12	08/134821-1982	O-Ring 180X7	1	NBR	
11	C502-F-06	Draining Ring	1	ASTM B62 C83600	
10	08/134821-1982	O-Ring 150X53	1	NBR	
9	08/134821-1982	O-Ring 173X7	1	NBR	
8	C502-F-05	Draining Flange	1	ASTM A516 65-45-12	
7	C502-F-04	Pin	2	SS304	
6	0885-85	Washer 16	16	Carbon Steel	In Plant
5	0841-86	Nut M16	16	Carbon Steel	In Plant
4	085780-86	Bolt M16X150	4	Carbon Steel	In Plant
3	C502-F-03	Outlet	2	ASTM B62 C83600	
2	C502-F-02	Disc	1	DL NBR Vulcanized	
1	C502-F-01	Body	1	ASTM A516 65-45-12	

Item	Part Number	Part Name	Qty	Material	Remark
Assembly					
C502 Hydrul 5-1/4" 250PSI					
C502-F-00					